

NORWEGIAN WOOD DESIGN

Product description of the wash basin Rondane

Content

Dimensions.....	2
Materials	4
Weight.....	4

Dimensions

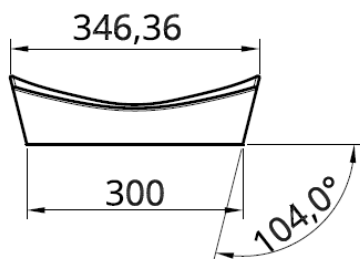
The Rondane wash basin is available in two different dimensions: Rondane 350 and Rondane 450

The outside measurements for the Rondane 350 is 350 x 350 x 100mm.

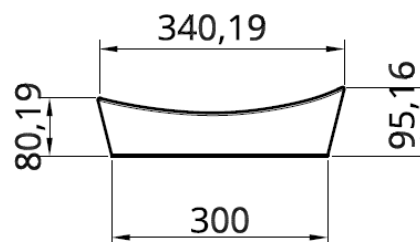
The outside measurements for the Rondane 450 is 450 x 350 x 100mm

Rondane 350

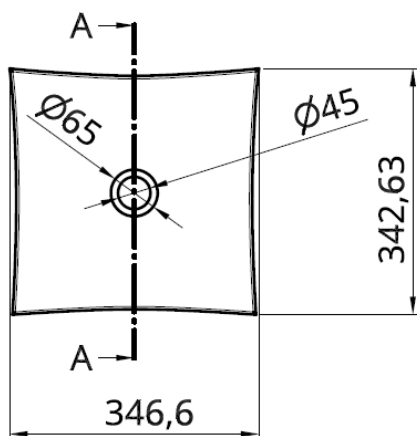
Front view



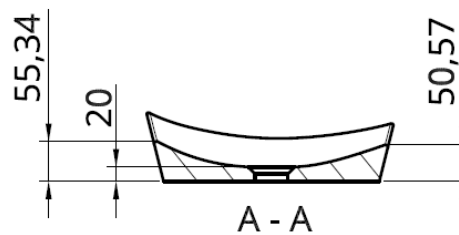
Right view



Top view

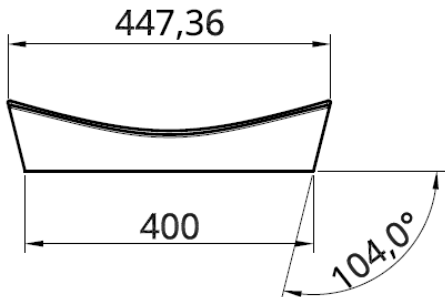


Middle cut view

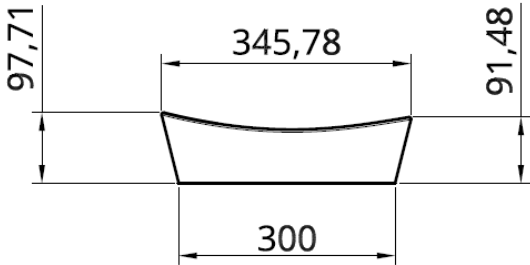


Rondane 450

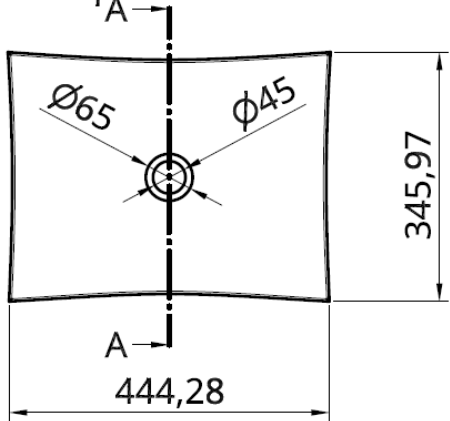
Front view



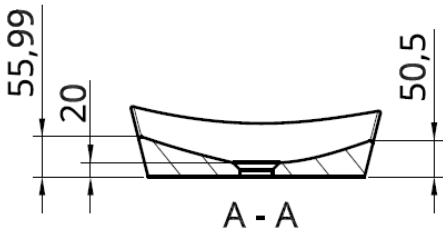
Side view



Top view



Middle cut view



Materials

Selection of wood is chosen by the customer. The wood type will therefore vary from product to product. Our standard wood species are Birch, Oak, Ash and Or from Norwegian forest. Dark Ash is heat-treated before it is dried and planed for production. Before processing the wood, it gets dried down to 7% moisture to avoid cracks in the wood during machining and use.

The washbasins are treated with UV resistant epoxy so that it leaves a simple surface for cleaning and maintenance. Epoxy seals the wood so it does not moisture or crack. The finish surface can be applied in blank or matt.

Weight

Due to different weight of the wood, the weight will vary between 2,5 and 4 kg.