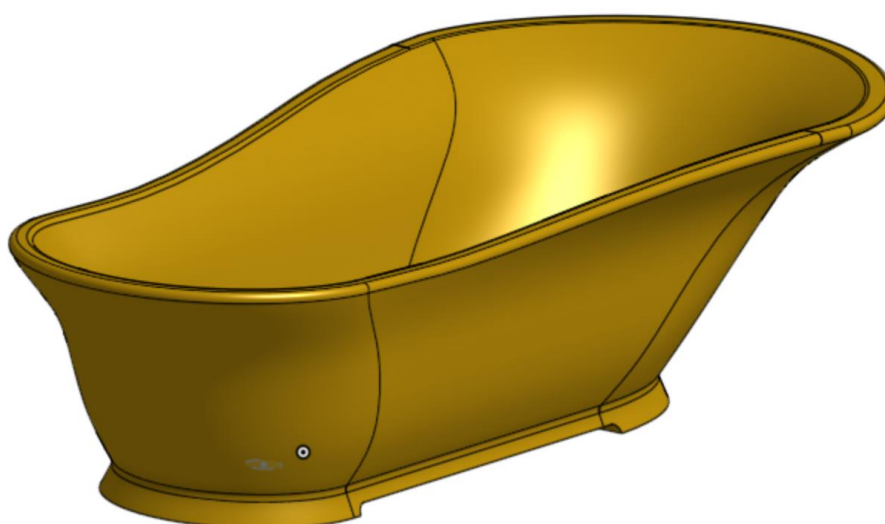


# NORWEGIAN WOOD DESIGN

## Product description of Trolltunga Bathtub



### Content

Description.....	2
Dimensions.....	3
Materials .....	4
Weight.....	4
Packing .....	4

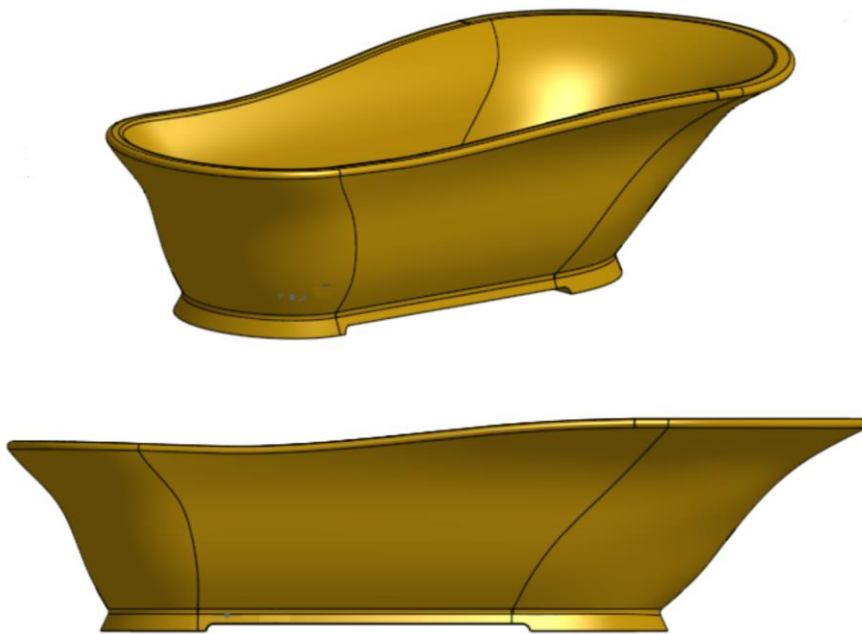
## Description

Our wooden bathtub Trolltunga are related to the sink Northern light. The bathtub will be launched during spring 2018, and are our premium design

The bathtub is free standing, and need a glorious space around to facilitate the view of the handcrafted piece of art. The relax zone of the bathtub has an angle that makes the bath experience a harmonious and comfortable spa experience. The wood's natural insulation ensures a good temperature for a long time.

The bathtub in the picture is the design of the upcoming bathtub Trolltunga. like all our products, is maintenance free. All required maintenance is regular cleaning.

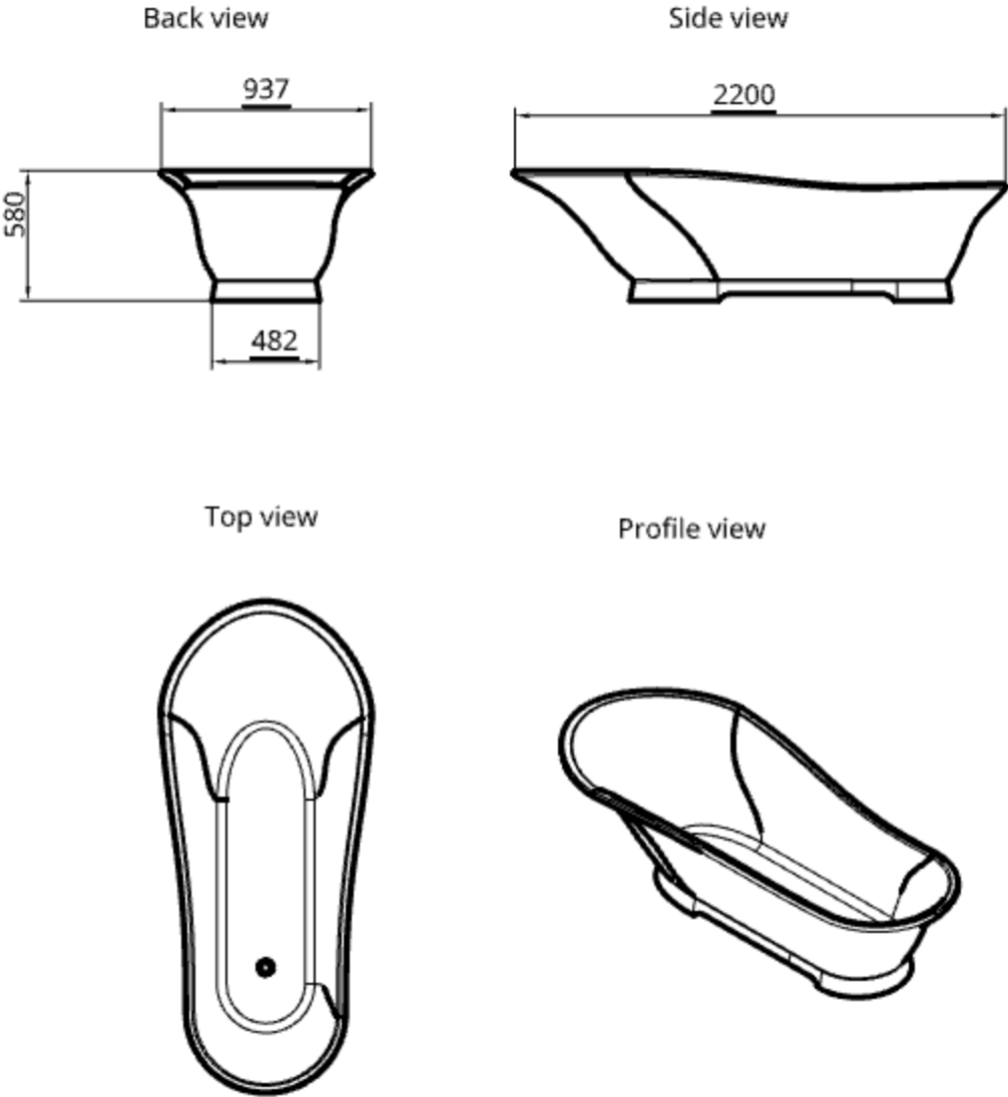
The baththub is handmade and has a delivery time of 3-4 months.



# Dimensions

The Trolltunga Bathtub has one standard dimension, but it can be custom built for other dimensions on demand. The standard dimension is 2200x937x580mm (LWH)

## Trolltunga Bathhub



## Materials

The selection of wood is chosen by the customer. The wood type will therefore vary from product to product. Our standard wood species are Oak, Ash and heat treated Ash from Norwegian forest. Dark Ash is heat-treated before it is dried and planed for production. Before processing the wood, it dries to maximum 7% moisture to avoid cracks in the wood during machining and use.

The washbasins are treated with UV resistant epoxy so that it leaves a shiny surface for cleaning and maintenance. Epoxy seals the wood to prevent moisture or crack. The finish surface can be applied in blank or matt by polishing the epoxy surface, or varnished with matt lacquer.

## Weight

Due to different weight of the wood, the weight will vary between 80 and 120 kg.

## Packing

The sink will be packed and prepared for shipment in a wooden crate.