

NORWEGIAN WOOD DESIGN

Product description of Hardangervidda countertop with integrated sink

Content

Dimensions	2
Materials.....	5
Weight	5
Models.....	5
Installation.....	6

Dimensions

The Hardangervidda countertop with integrated sink wash basin is available in 3 standard dimensions:

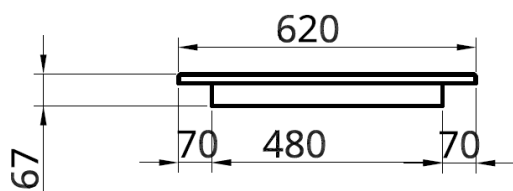
The outside measurements for the Hardangervidda 620 is 620 x 380 x 73 mm.

The outside measurements for the Hardangervidda 820 is 820 x 480 x 73 mm.

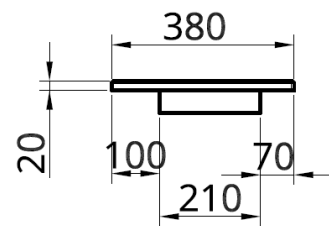
The outside measurements for the Hardangervidda 1220 is 1220 x 480 x 73 mm.

Hardangervidda 620

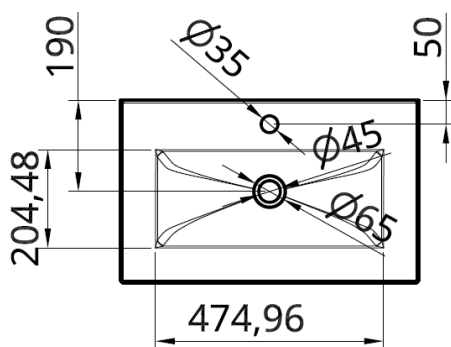
Front view



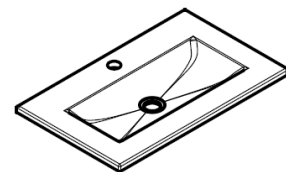
Side view



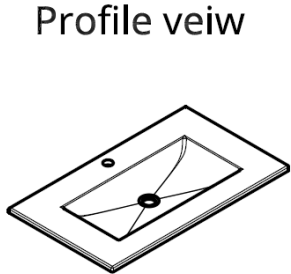
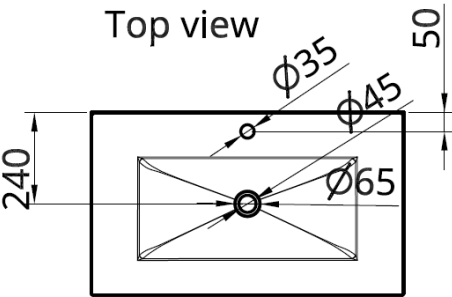
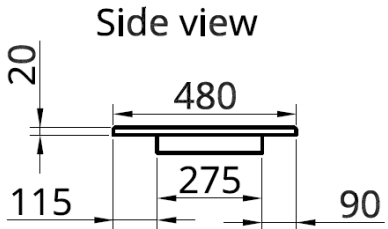
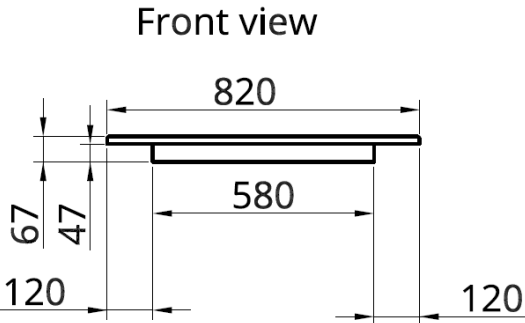
Top view



Profile view

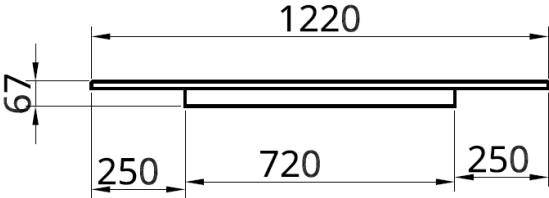


Hardangervidda 820

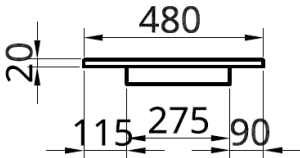


Hardangervidda 1220

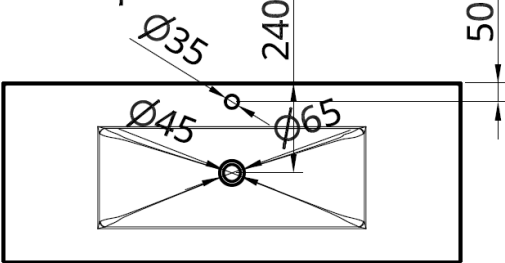
Front view



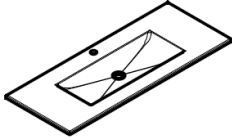
side view



top view



Profile view



Materials

Selection of wood is chosen by the customer. The wood type will therefore vary from product to product. Our standard wood species are Birch, Oak, Ash and Or from Norwegian forest. Dark Ash is heat-treated before it is dried and planed for production. Before processing the wood, it get dried to below 7% moisture to avoid cracks in the wood during machining and use.

The washbasins are treated with UV resistant epoxy so that it leaves a simple surface for cleaning and maintenance. Epoxy seals the wood so it does not moisture or crack. The finish surface can be applied in blank or matt.

Weight

Due to different size and weight of the wood, the weight will vary between 4 kg and 12 kg.

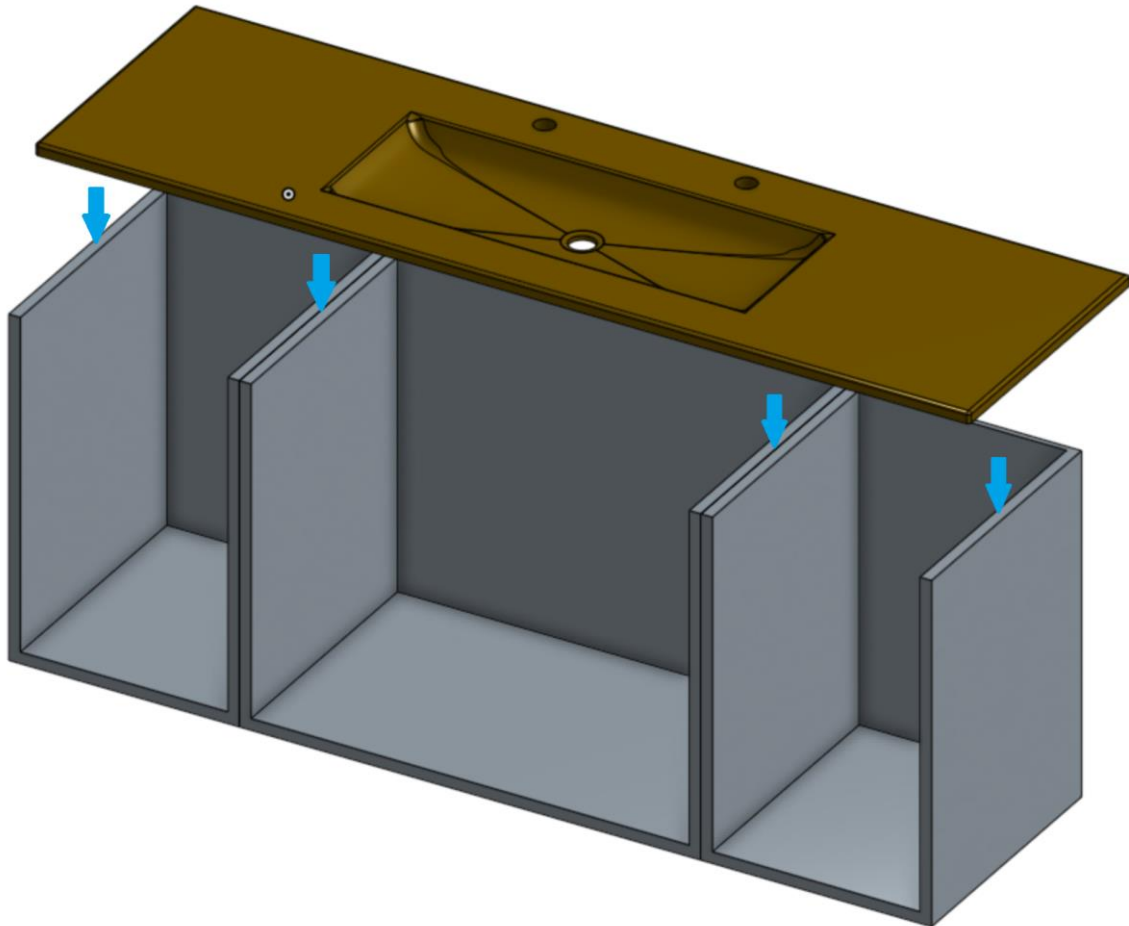
Models

The basin can be ordered in three different types as described above.

Other measures is available on request.

Installation

Mount the cabinet to the wall as described from the cabinet maker instruction. Apply tech 7 glue or other water resistant glue to the top of cabinet walls as on the picture below.



Place the Hardangervidda countertop on the cabinet, and remove excess glue from the side of the cabinet.

Finally, the crack between wall and countertop must be sealed with Tek7 glue. The washbasin should not be used until the glue is completely cured.

Water and drain installed as directed on valve and water battery packs.

Drain valve must allow depth of sink thickness from 0 mm. See drawing below:

