

# NORWEGIAN WOOD DESIGN

## Product description of Rondane Bathtub



### Content

Description .....	2
Dimensions .....	4
Materials .....	5
Weight .....	5
Packing .....	5

## Description

Our wooden bathtub Rondane has the same distinctive corners as the Rondane sink. The bathtub is free standing, but will also fit as a wall-mounted bathtub due to its square shape. The short side has an angle that makes the bath experience a harmonious and comfortable spa experience. The wood's natural insulation ensures a good temperature for a long time.

The wooden bathtub in the picture is made by oak, and treated with dark stain before epoxy and varnish. Rondane, like all our products, is maintenance free. All required maintenance is regular cleaning.

The baththub is handmade and has a delivery time of 2-3 months.



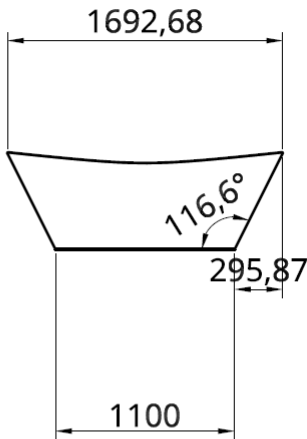


# Dimensions

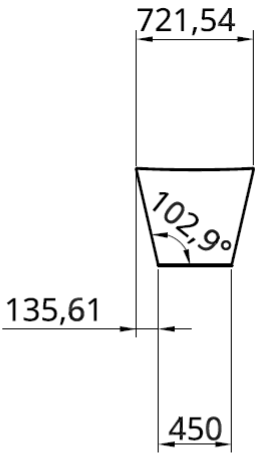
The Rondane Bathtub has one standard dimension, but it can be custom built for other dimensions on demand. The standard dimension is 1700X725x600mm (LWH)

## Rondane Bathhub

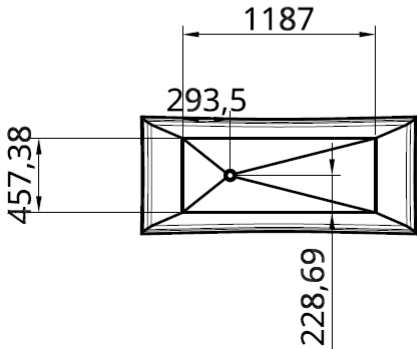
Side view



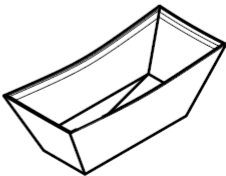
Front view



Top view



Profile view



## Materials

The selection of wood is chosen by the customer. The wood type will therefore vary from product to product. Our standard wood species are Oak, Ash and heat treated Ash from Norwegian forest. Dark Ash is heat-treated before it is dried and planed for production. Before processing the wood, it dries to maximum 7% moisture to avoid cracks in the wood during machining and use.

The washbasins are treated with UV resistant epoxy so that it leaves a shiny surface for cleaning and maintenance. Epoxy seals the wood to prevent moisture or crack. The finish surface can be applied in blank or matt by polishing the epoxy surface, or varnished with matt lacquer.

## Weight

Due to different weight of the wood, the weight will vary between 60 and 90 kg.

## Packing

The sink will be packed and prepared for shipment in a wooden crate.